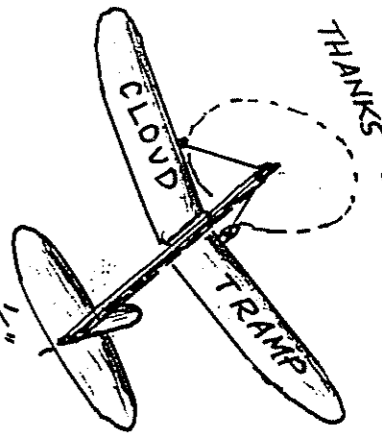


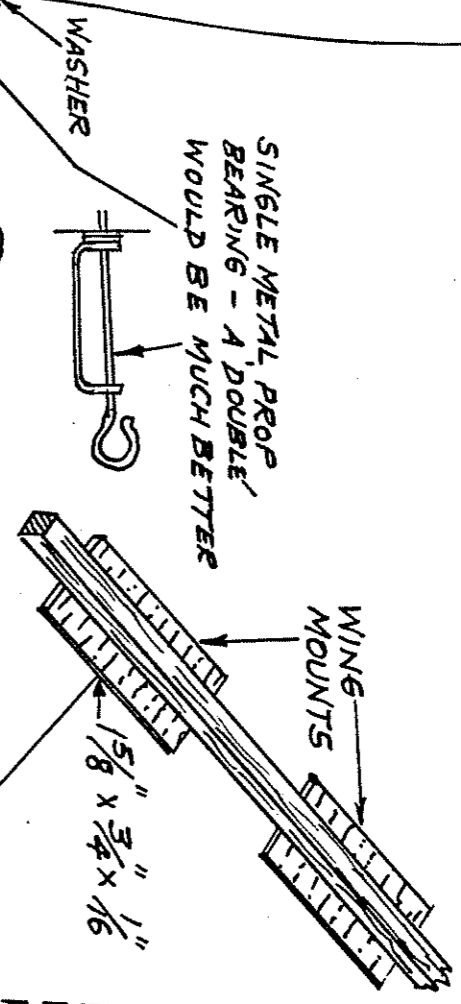
THANKS CHARLIE!



CLOUD TRAMP
DESIGNED BY C.H. GRANT
DRAWN FULL SIZE FOR GRANT
MIMLOCT FLIERS BY BOB JONES
ENGLAND

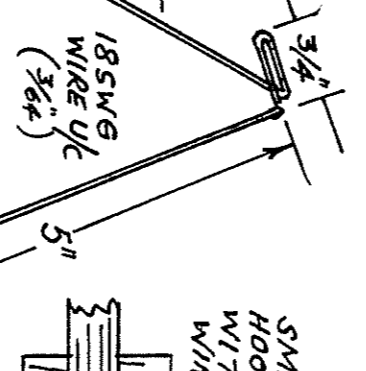
ELAT SPAN 22"
ORIGINAL DRAWING M.A.N. AUG 54

SINGLE METAL PROP BEARING - A DOUBLE WOULD BE MUCH BETTER

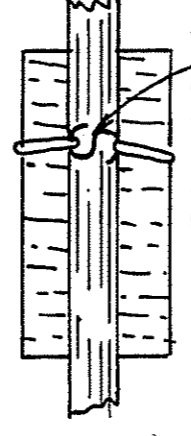


WASHER

THREAD BINDING



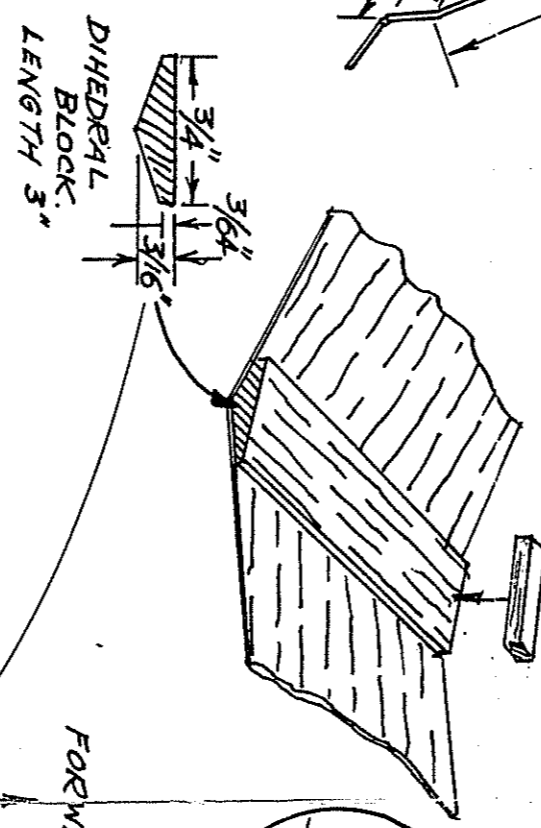
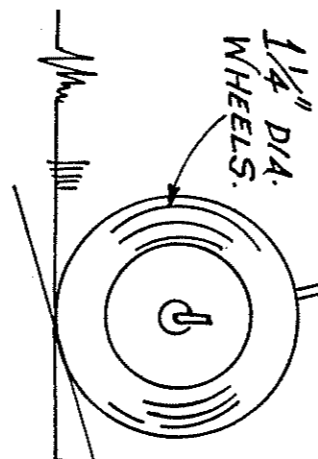
SMALL WIRE 5" HOOKS WILL HELP WITH FITTING OF WING BANDS



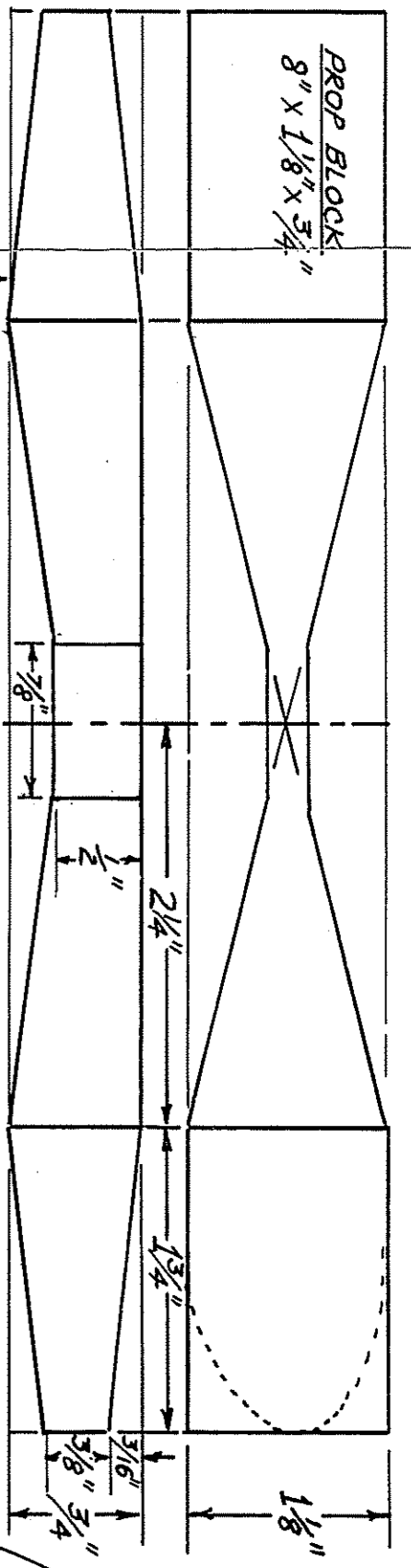
SUGGESTED BALANCE POINT (1/8" FROM WING L/E)

FLYING SURFACES MAY BE SAND DOWN TO 120° USE A BLOCK AND SAND BOTH SIDES TO AVOID WARPS. .012" TO COME OFF.

LAMINATED PROP BLOCK USED BY PETER CAMERON, CRAWLEY MFC
6 PIECES OF 1/8" x 3/4" x 8" GLUED IN 'FAN' SHAPE.



FORWARD



ORIGINAL DRAWING SHOWED A PROP SHAPED FROM A SAWN BLANK. THE ABOVE BLOCK SHAPE IS SUGGESTED. SOME 8" PLASTIC PROPS ARE SUITABLE

SUGGESTED POWER 4 STANDS TAN II RUBBER 17" LONG

FIN GLUED TO R/H SIDE OF MOTOR STICK
STAB - GLUED UNDER STICK.

1/4" x 1/4" x 1/8" BAND (IF WOOD CHOSEN PROVES TOO FLEXIBLE STIFFEN WITH CARBON TOW)

FORWARD

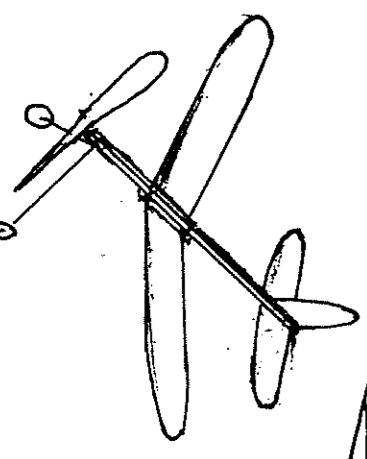
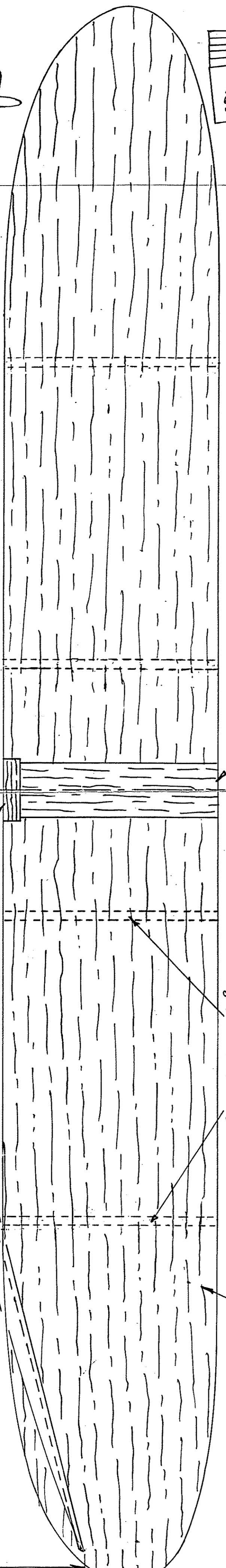
1/8" SHT STAB (ORIG 1/20) SEE NOTE

MOTOR HOOK 20 SWG

TAIL HOOK 20 SWG

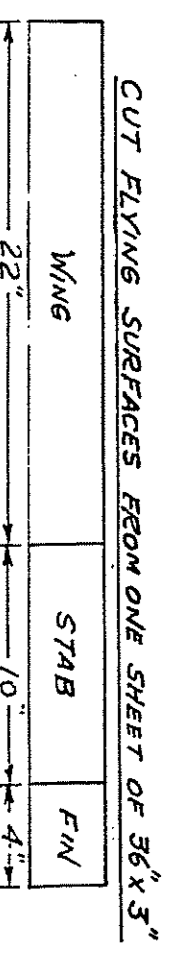
FIN 1/8" SHT (ORIGINAL 1/20) SEE NOTE

"MIMLOCT" - MEMORIAL INTERNATIONAL MASS LAUNCH OF CLOUD TRAMPS



SHEET SIZE A2

THANKS TO LOREN DIETRICH & MIKE PARKER WHO STARTED "TRAMPING"



APRIL '98